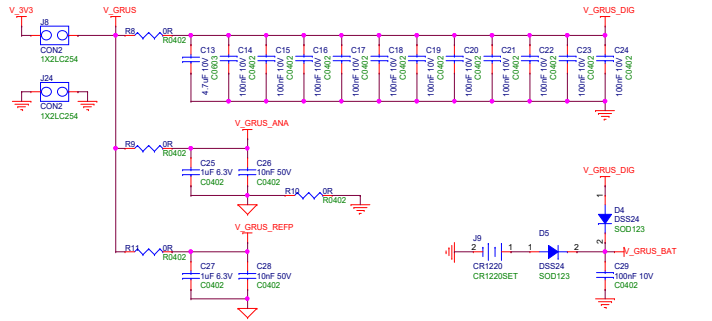
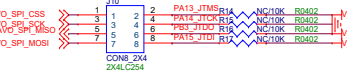


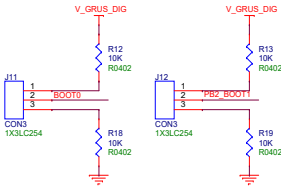
POWER_CAP



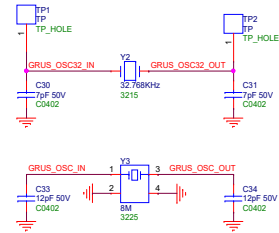
JTAG



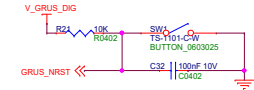
BOOT



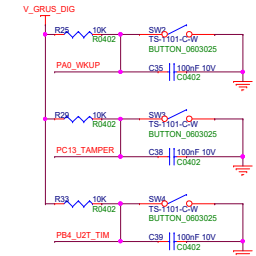
CLK



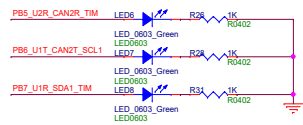
RST



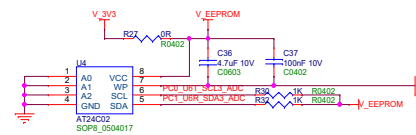
BUTTON



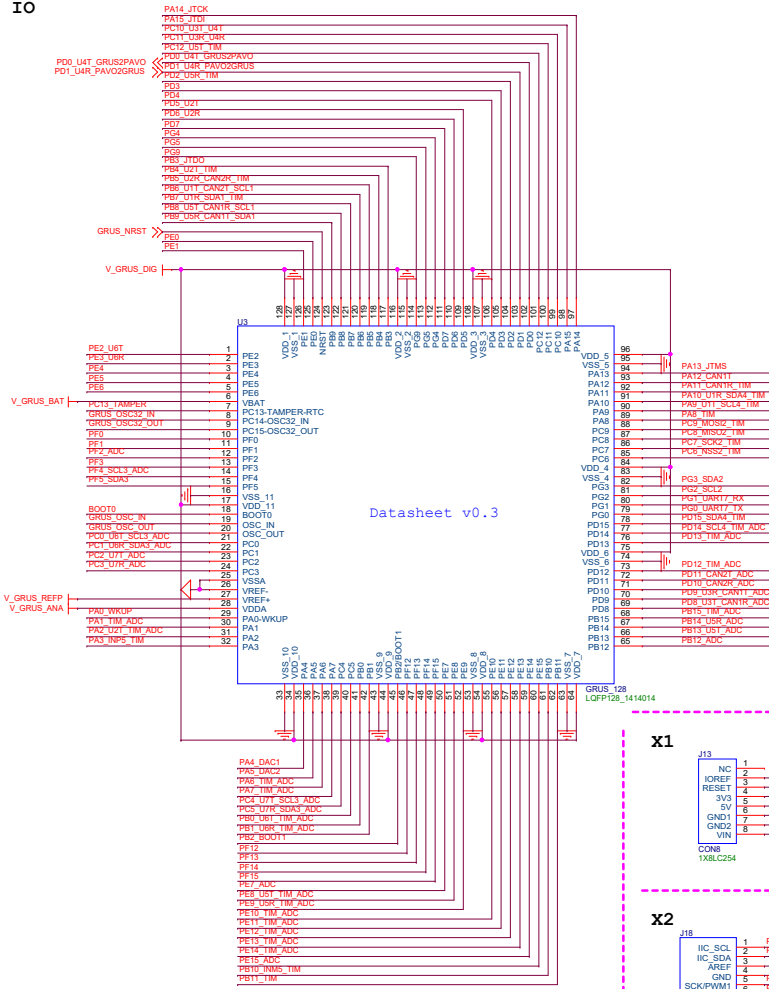
LED



EEPROM

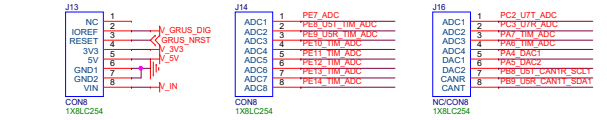


IO

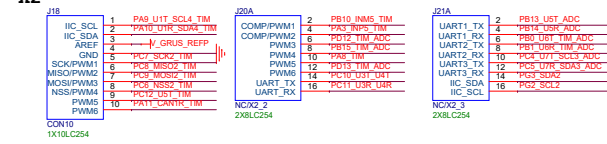


Datasheet v0.3

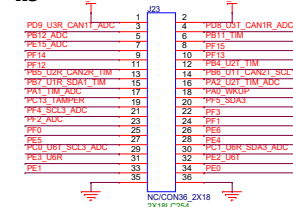
X1



X2



X3



X_RESERVE

